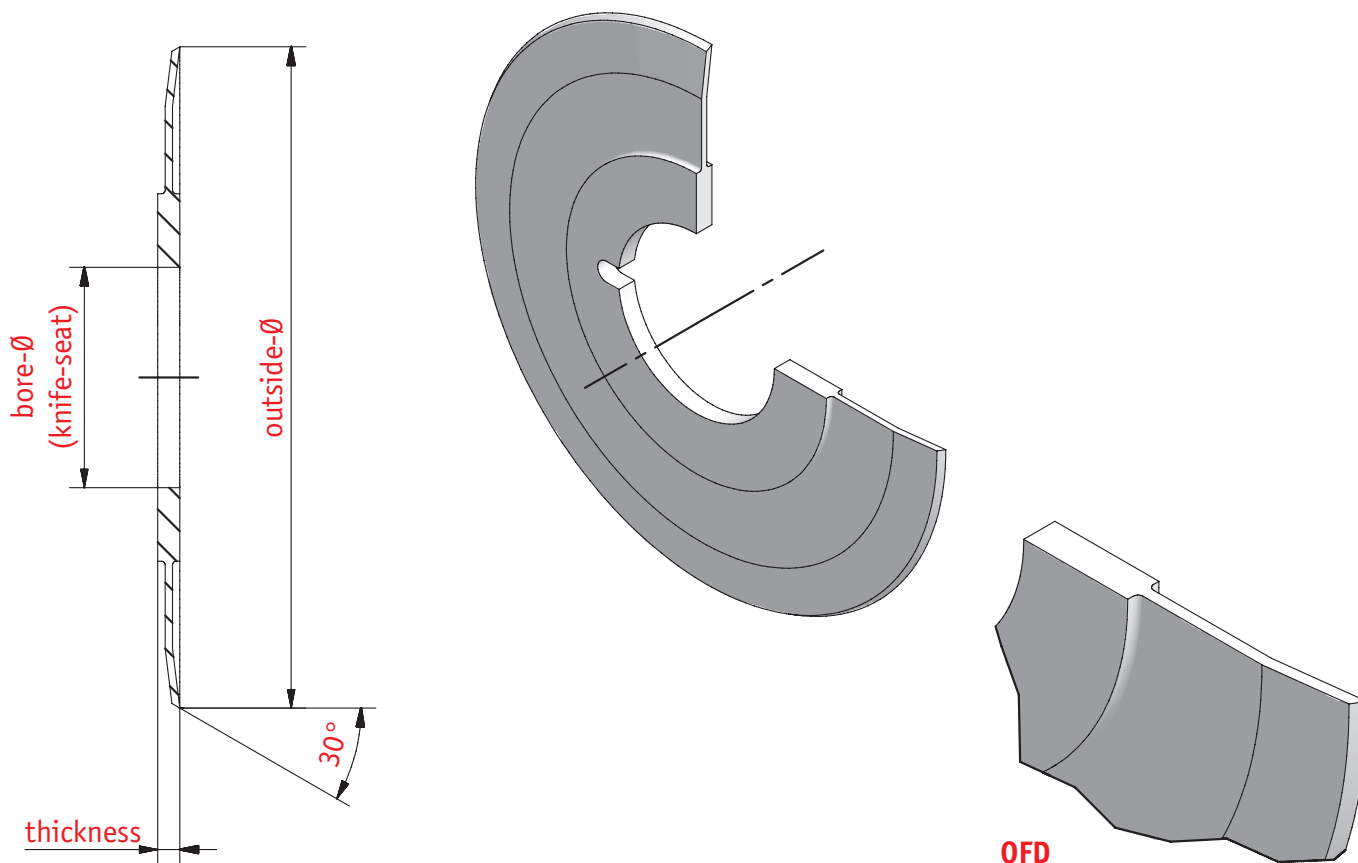


SLITTING SYSTEM

Top knife type OFD (flat, self-cushioning)



➔ narrow cut system without top knife holder



Outside-Ø	75	80	80	100	105					
Bore-Ø	30	30	40	60	60					
Thickness	≥ 0.5	1	1	1	≥ 1					

Order example: Type – outside-Ø x bore-Ø x thickness – material group
OFD – 80 x 30 x 1.0 of LWS

Standard material groups: LWS, SBS, HWS, HSS

Special dimensions and special materials on demand