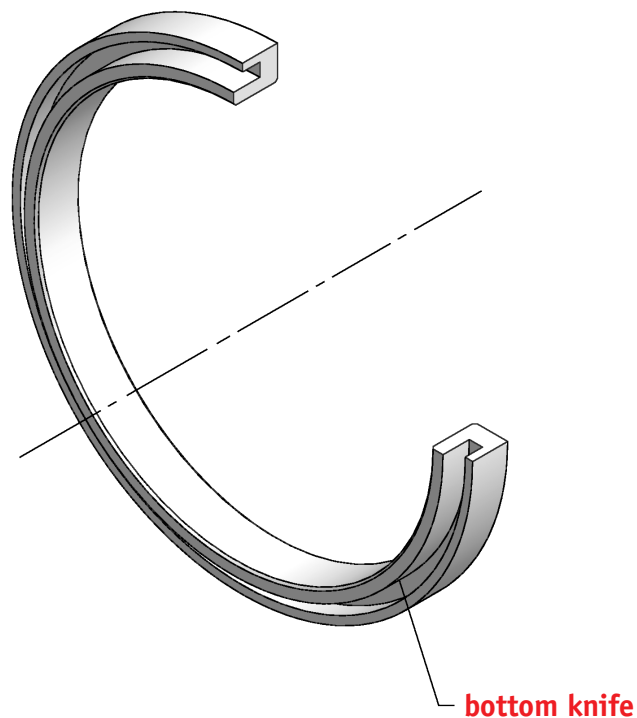
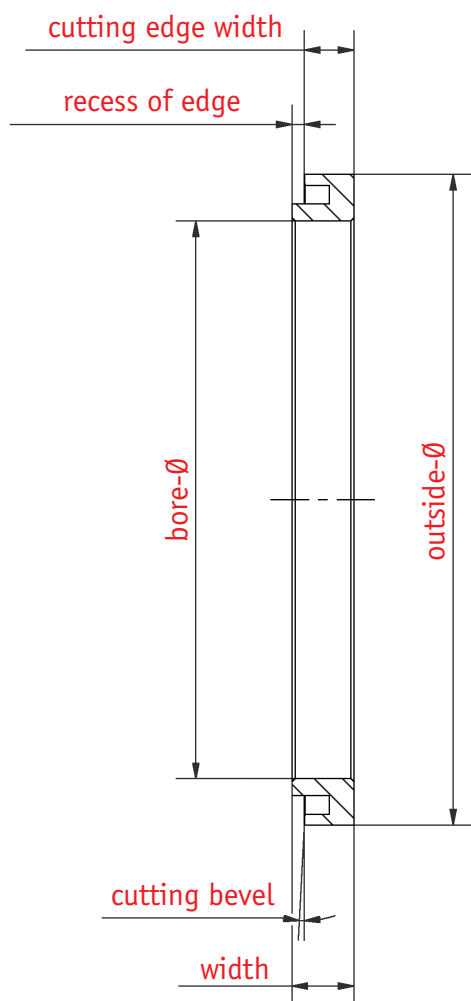


SLITTING SYSTEM

Bottom knife (female knife) type N



→ for axial clamping



| | | | | | | | | | | | | |
|-------------------|----|----|----|----|----|-----|-----|-----|-----|-----|-----|-----|
| Outside-Ø | 46 | 60 | 77 | 77 | 80 | 105 | 105 | 124 | 150 | 150 | 160 | 200 |
| Bore-Ø | 30 | 40 | 45 | 60 | 60 | 80 | 90 | 100 | 100 | 120 | 140 | 160 |
| Width from | 3 | 3 | 3 | 3 | 3 | 5 | 5 | 5 | 5 | 5 | 5 | 5 |

Order example: Type – outside-Ø x bore-Ø x width / cutting edge width
 – material group
 N – 105 x 80 x 10 / 8 of LWS

Standard cutting bevel: 3°
 Standard widths and tolerance: 5 / 10 / 15 / 20 ± 0.005
 Standard material groups: LWS, HWS

Special dimensions and special materials on demand