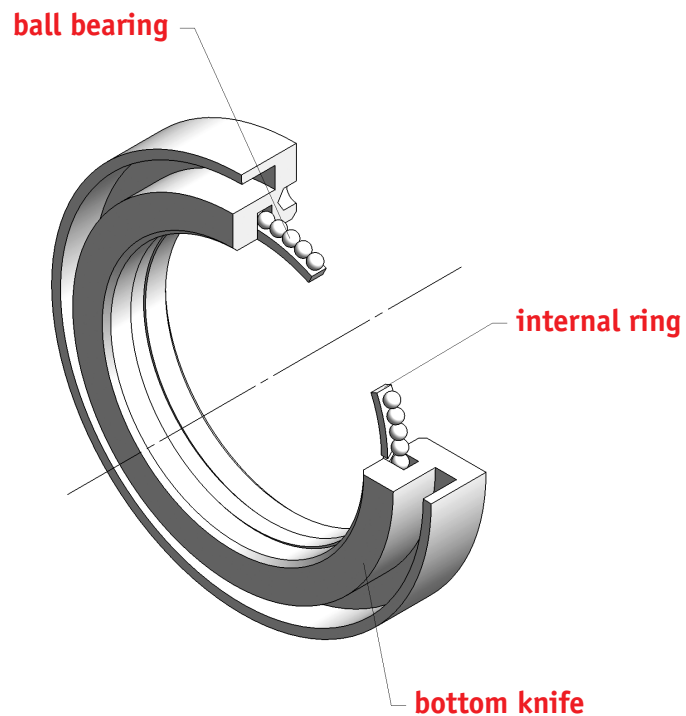
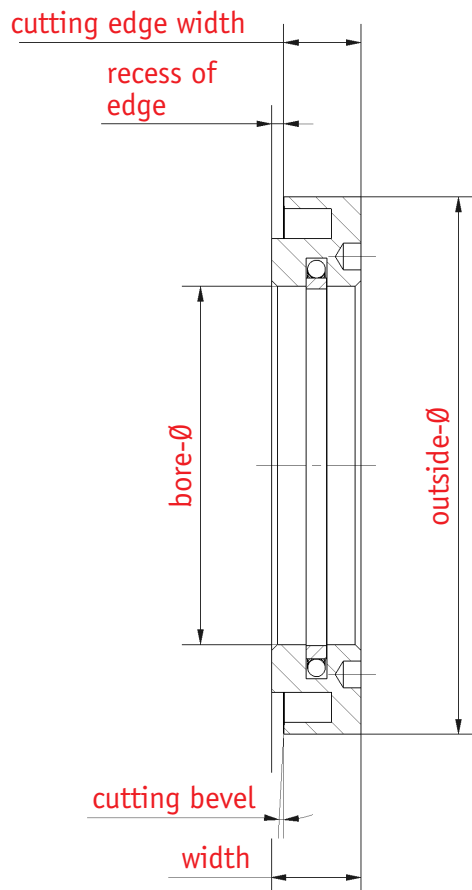


# SLITTING SYSTEM

## Bottom knife (female knife) type NG



➔ with eccentric fixing (self-locking)



<b>Outside-Ø</b>	46	60	60	77	77	80	90	105	105	150
<b>Bore-Ø</b>	25	30	40	45	60	60	60	60	80	120
<b>Width from</b>	6	6	6	6	6	6	10	10	10	15

**Order example:** Type – outside-Ø x bore-Ø x width / cutting edge width  
 – material group  
 NG – 80 x 60 x 10 / 8.5 of LWS

Standard cutting bevel: 3°  
 Standard widths and tolerance: 10 / 15 / 20  $_{-0.02/-0.04}$   
 Standard material groups: LWS, HWS

**Special dimensions and special materials on demand**

**2 - 4.2**

**WILHELM BILSTEIN GmbH & Co. KG**

Kölner Str. 27-29 Tel. +49 (0) 22 06/60 06-0 verkauf@bilstein.net  
 D-51491 Overath Fax +49 (0) 22 06/60 06-29/-49 www.bilstein.net

**BILSTEIN**®