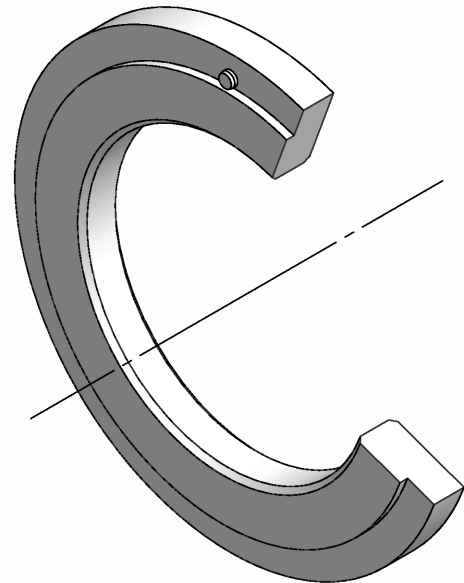
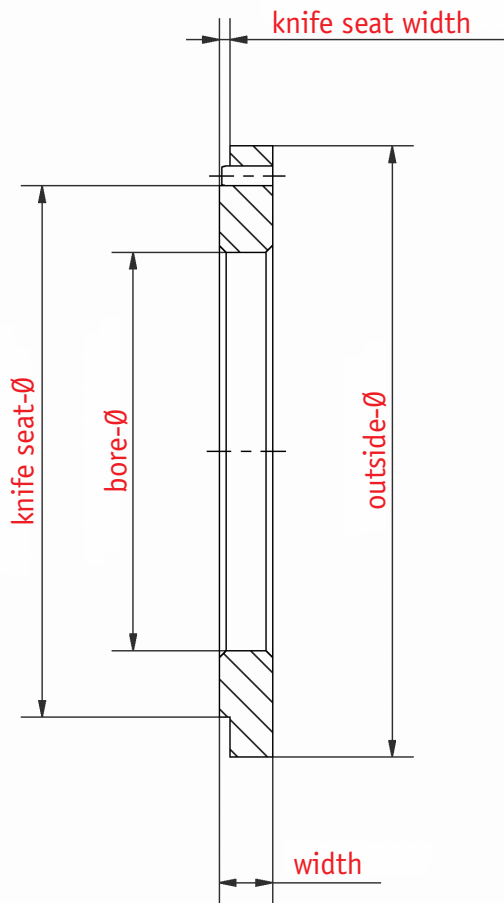


# SLITTING SYSTEM

## Top knife holder type MSS



➔ for axial clamping (narrow cut system)



top knife holder

<b>Outside-Ø</b>	46	51	76						
<b>Knife seat-Ø</b>	40	45	70						
<b>Bore-Ø</b>	30	30	60						
<b>Width from</b>	1.0	2.0	2.0						

**Order example:** Type – outside-Ø / knife seat-Ø x bore-Ø x width / thickness of top knife – material group  
MSS – 46 / 40 x 30 x 1.0 / 0.4 of VGS

Standard width tolerance: +/-0.005

Standard material group: VGS

### Special dimensions and special materials on demand

Top knife holders can only be equipped with dished top knives of type OSN, OSD and OSH; width of knife seat depends on thickness of top knife