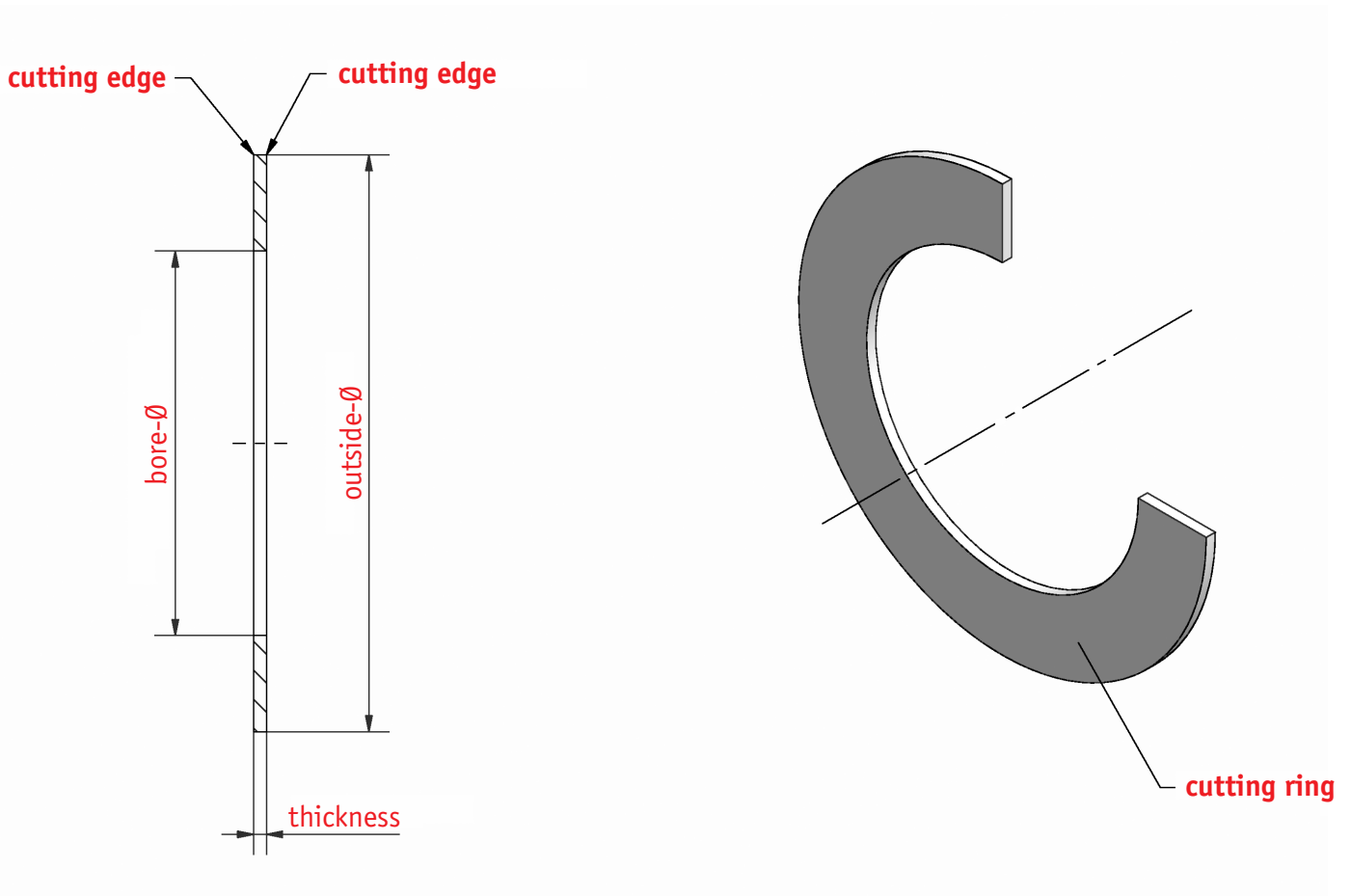


SLITTING SYSTEM

Cutting ring type US



Outside-Ø	46	46	60	77	77	80	80	105	105	124	160	
Bore-Ø	30	34	45	60	62	60	68	80	90	100	140	
Thickness	1.0	0.5	0.5	1.0	0.5	1/2	0.5	1/2	1/2	0.5/1	0.5	

Order example: Type – outside-Ø x bore-Ø x thickness – material group
US – 80 x 60 x 2 of LWS

Standard thickness and tolerances: $0.5_{+/-0.01} / \geq 1_{+/-0.005}$

Standard material group: LWS

Special dimensions and special materials on demand

Subject to modification

01.10

4 - 1

WILHELM BILSTEIN GmbH & Co. KG

Kölner Str. 27-29 Tel. +49 (0) 22 06/60 06-0 verkauf@bilstein.net
D-51491 Overath Fax +49 (0) 22 06/60 06-29/-49 www.bilstein.net

BILSTEIN®