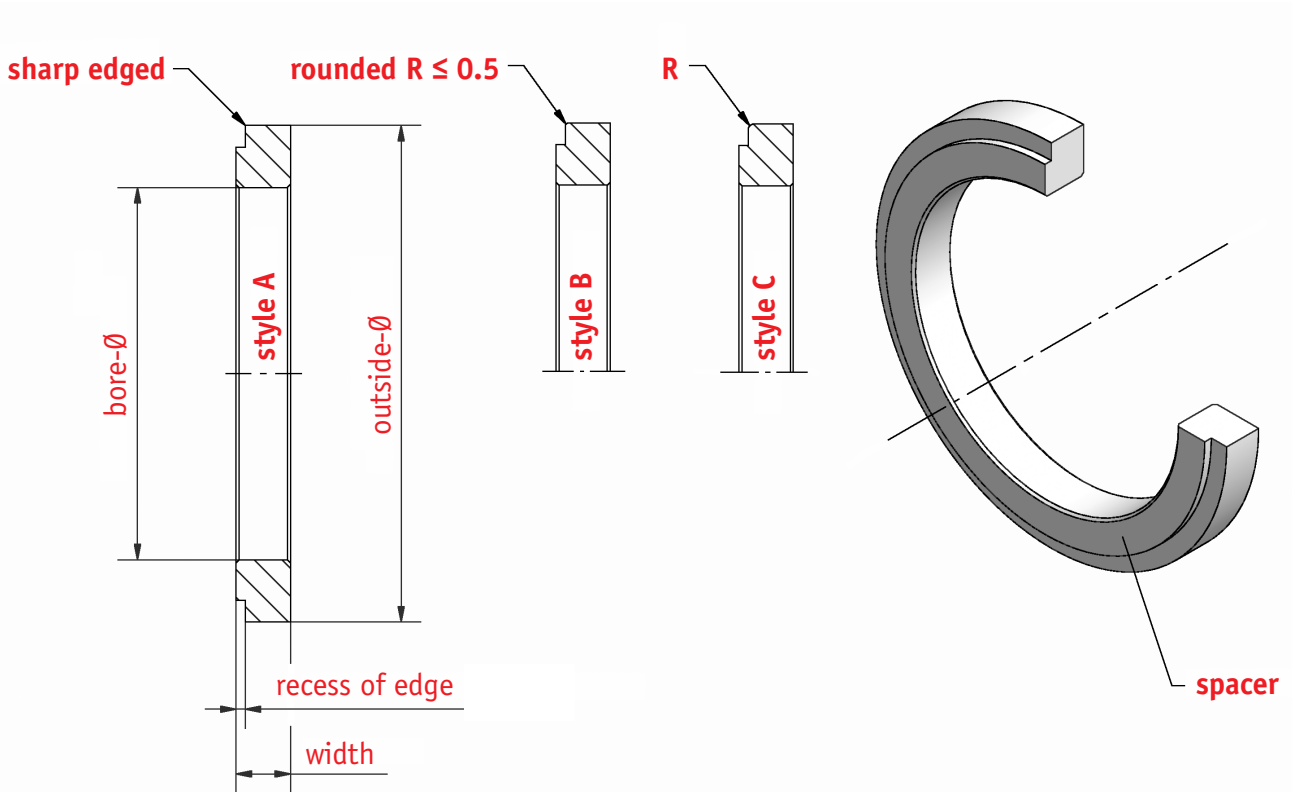


SLITTING SYSTEM

Spacer with turned recess type ZE



➔ for axial clamping, suitable for cutting ring type US



Outside-∅	46	77	80	105	105	124	160			
Bore-∅	30	60	60	80	90	100	140			
Width from	2	2	2	4	4	4	4			

Order example: Type – outside-∅ x bore-∅ x width / recess of edge / style / radius – material group
ZE – 80 x 60 x 10 / 2 / C / R 1.0 of VGS

Standard width tolerance: ± 0.005
Standard material groups: VGS, LWS

Special dimensions and special materials on demand

4 - 3

WILHELM BILSTEIN GmbH & Co. KG

Kölner Str. 27-29 Tel. +49 (0) 22 06/60 06-0 verkauf@bilstein.net
D-51491 Overath Fax +49 (0) 22 06/60 06-29/-49 www.bilstein.net

BILSTEIN®