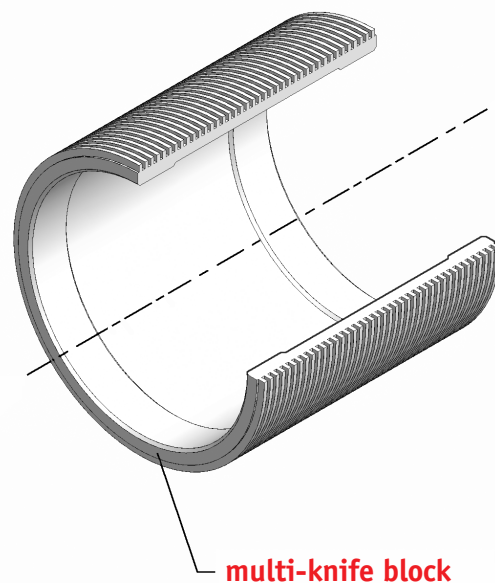
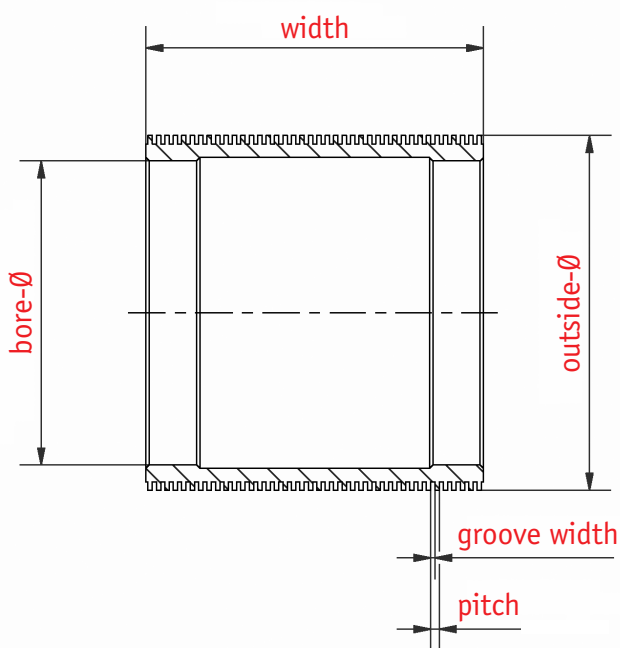
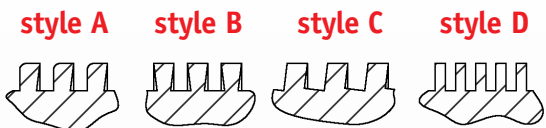


SLITTING SYSTEM

Multi-knife block type NB



→ for axial clamping



Outside-Ø	77	80	105	105	124	150	150	180	210	240
Bore-Ø	60	60	80	90	100	100	120	150	180	210
Outside-Ø	250	275	290	300	300	350	390	400	410	450
Bore-Ø	210	245	260	250	270	310	350	360	380	416

Order example: Type – outside-Ø x bore-Ø x width / pitch / groove width / style
 – material group
 NB – 180 x 150 x 100 / 10 / 3 / A of LWS

Standard widths and tolerance: **pitch** style 5 mm on / **groove width** style 2.2 mm on
 50 / 100 ± 0.02
 Standard material group: LWS

Special dimensions and special materials on demand

Also available with screw fixing