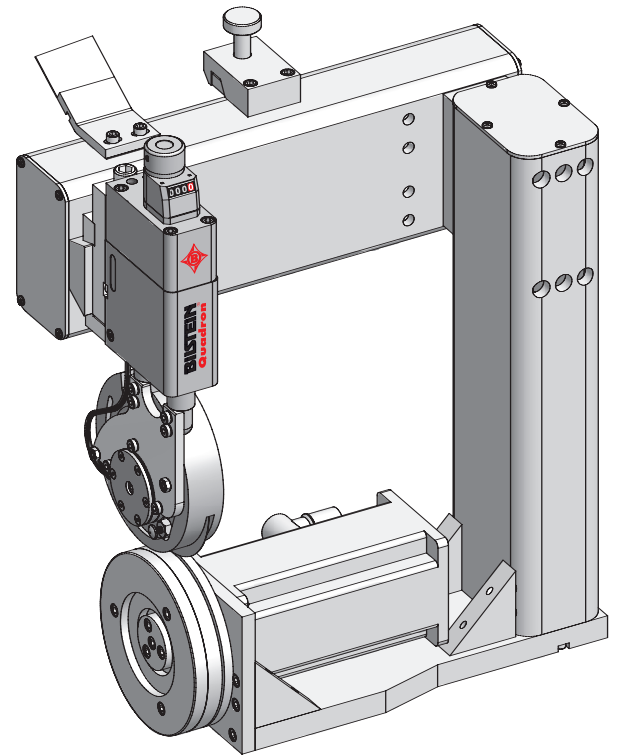
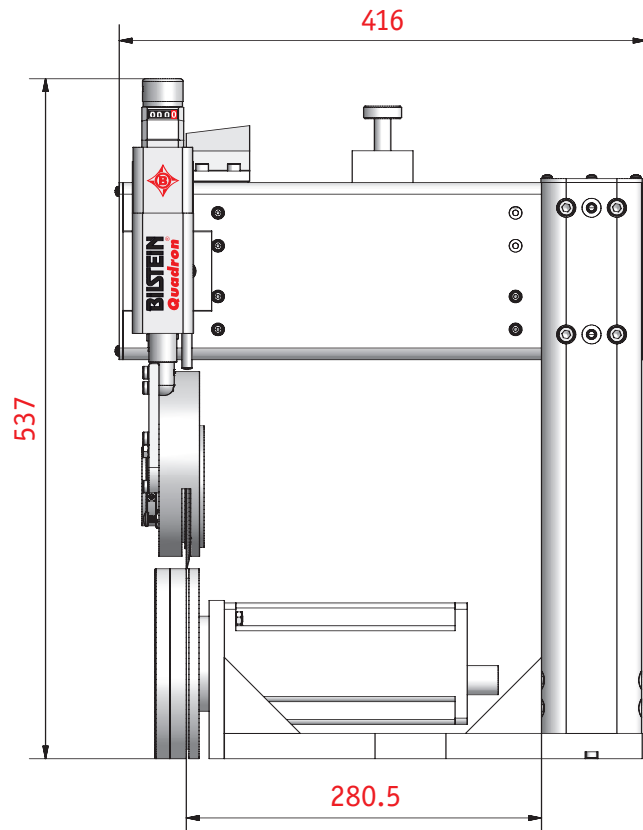


SLITTING SYSTEM

Trimming station type SEK



→ C-type base frame



Order designation: Type SEK

C-type base frame is regularly equipped with:

- Pneu. top knife holder QUADRON®
- Top knife type ON, OD, OH, OFN, OFD, OFH
Outside-Ø: from 105 mm up to 200 mm
- 2 air hoses (540 mm long, PVC) with coupling other air hose lengths on demand
- Motor-driven bottom knife
Dimensions: 150 x 120 x 15 mm
- Complete with drive
- Always designed with the customer to meet their requirements