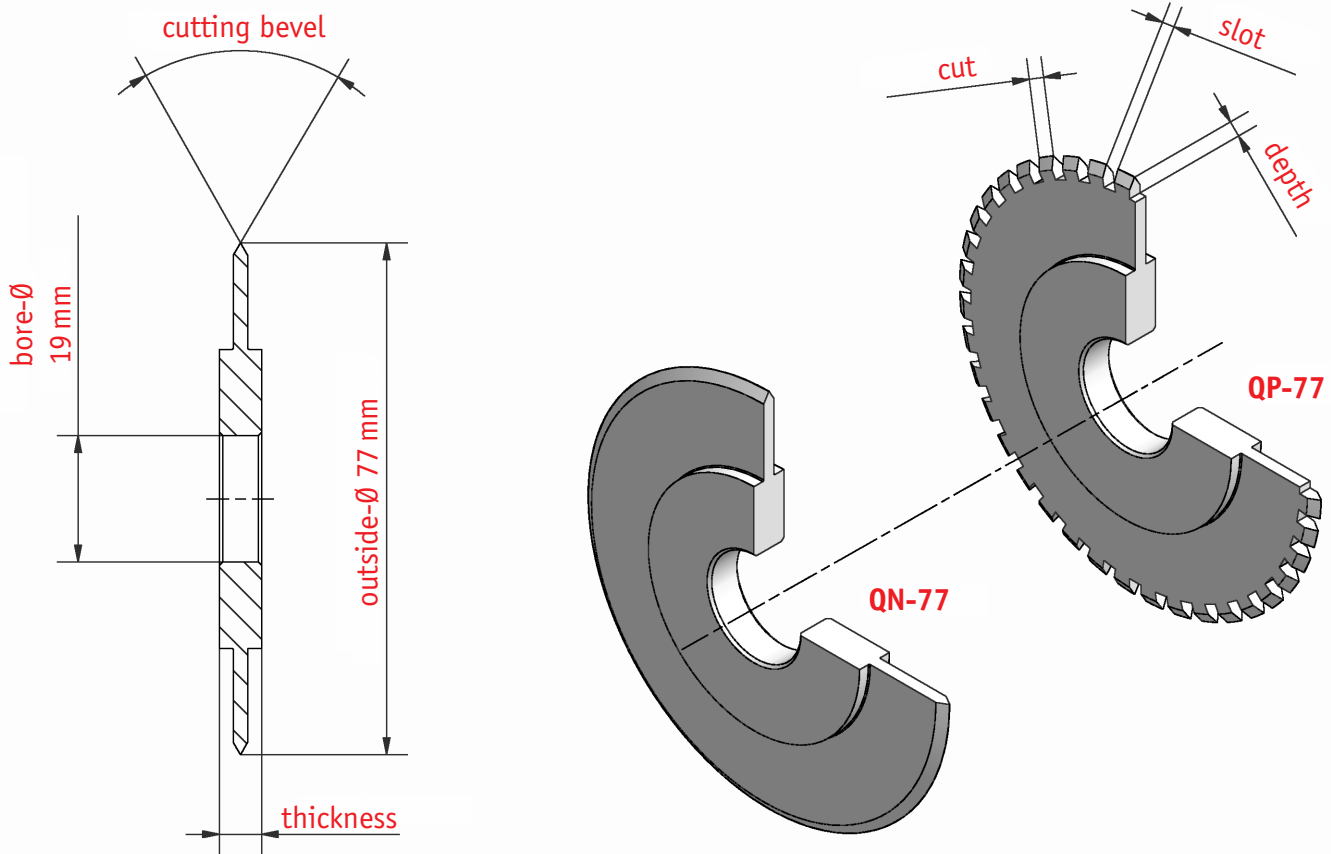


CRUSH CUT SYSTEM

Crush cut knife type QN-77, QP-77



→ suitable for pneumatic crush cut holder type Q68



For holder width	9.0	9.52	10.0	12.7	15.0	
Thickness	5.20			6.35		

Order example:

QN-77

Type – outside-Ø x bore-Ø x thickness / bevel /
 – material group
 QN – 77 x 19 x 5.2 / 30° of HWS

QP-77

Type – outside-Ø x bore-Ø x thickness / bevel /
 cut / slot / depth / – material group
 QP – 77 x 19 x 6.35 / 30° / 2 / 2 / 2.5 of HWS

Standard bevel: 30° / 60°
 Standard material group: HWS

Dimensions for perforation on demand