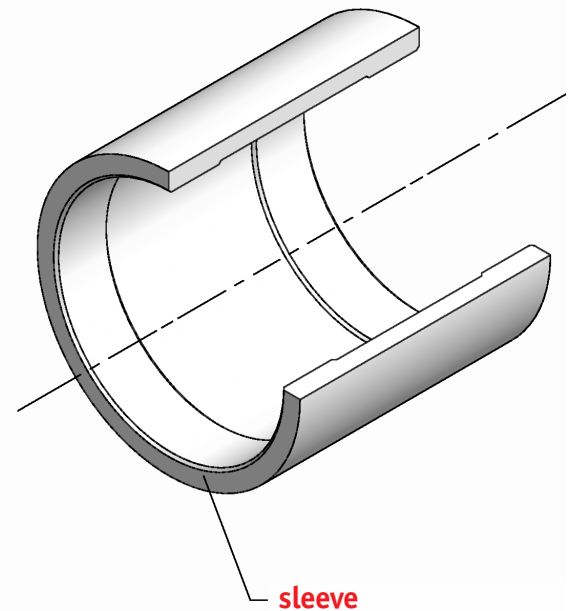
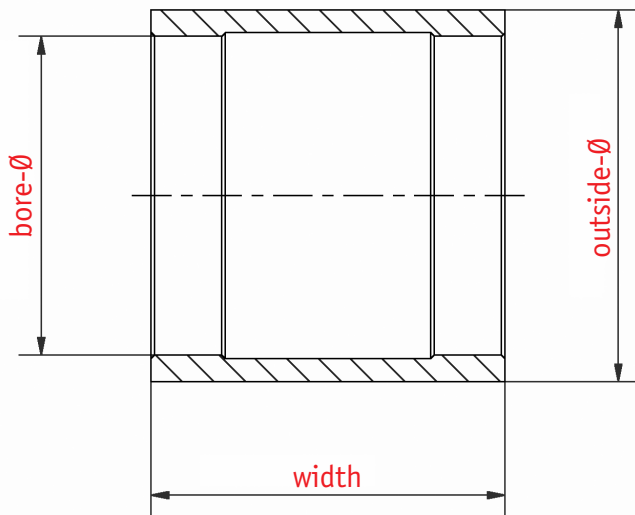


CRUSH CUT SYSTEM

Glasshard sleeve type BG



Order example: Type – outside-Ø x bore-Ø x width – material group
BG – 350 x 312 x 200 of LWS

Standard material group: LWS

All dimensions up to outside-Ø 450 mm on demand

7 - 7

WILHELM BILSTEIN GmbH & Co. KG

Kölner Str. 27-29 Tel. +49 (0) 22 06/60 06-0 verkauf@bilstein.net
D-51491 Overath Fax +49 (0) 22 06/60 06-29/-49 www.bilstein.net

BILSTEIN®