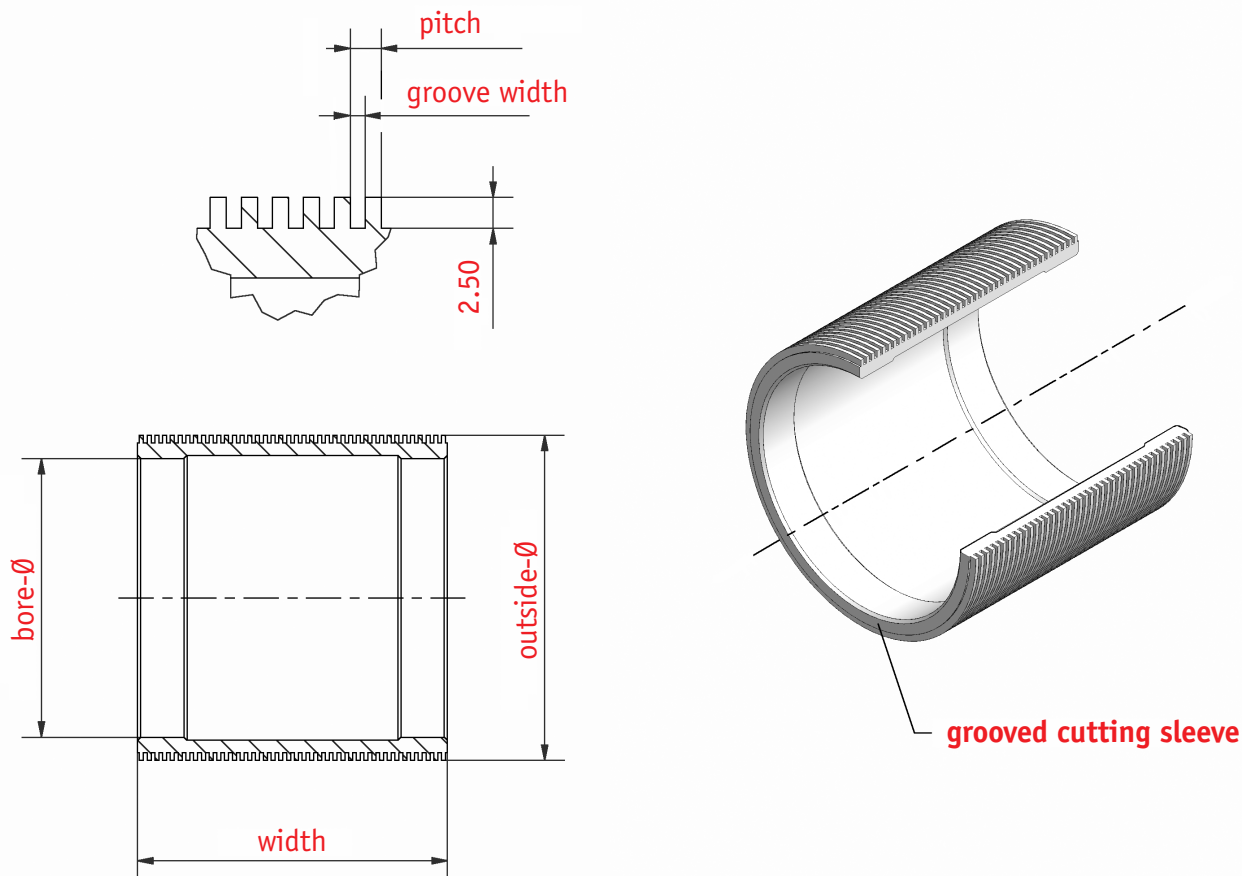


BURST CUT SYSTEM

Grooved cutting sleeve QNB for razor blades



➔ for axial clamping



Outside-Ø	80	105	150	150	160	190	290	390		
Bore-Ø	60	90	100	120	130	160	260	350		

Order example: Type – outside-Ø x bore-Ø x width / pitch / groove width
 – material group
 QNB – 150 x 120 x 100 / 2 / 1 of LWS

Pitch from 1 mm on / **Groove width** from 0.5 mm on
Standard-pitch 2 / Standard-groove width 1

Standard widths and tolerance: 50 / 100 ^{-0.05}
 Standard material groups: LWS, ALU

Special dimensions and special materials on demand

Subject to modification

01.10

8 - 2

WILHELM BILSTEIN GmbH & Co. KG

Kölner Str. 27-29 Tel. +49 (0) 22 06/60 06-0 verkauf@bilstein.net
 D-51491 Overath Fax +49 (0) 22 06/60 06-29/-49 www.bilstein.net

BILSTEIN®